

sbs Mounting System



Range of application

The **sbs mounting system** is an universal and flexible modular system for mounting

- switching elements
- control elements, such as light barriers, Scanners, etc.
- lateral guides.

This mounting system greatly simplifies mounting and installation work in various fields of mechanical engineering and plant manufacturing.

Features

The mounting system stands out through its practice-oriented advantages such as:

- ✓ **compact design**
- ✓ **fast and easy installation**
- ✓ **extreme load capability**
- ✓ **minimum number of components**
- ✓ **wide variety of configuration options**

It comprises the following standard system parts:

1. The system plates

For the mounting of light barriers, scanners and reflectors

2. The system holders

The system holders join the system plate with the round rod or with a C-DIN rail.

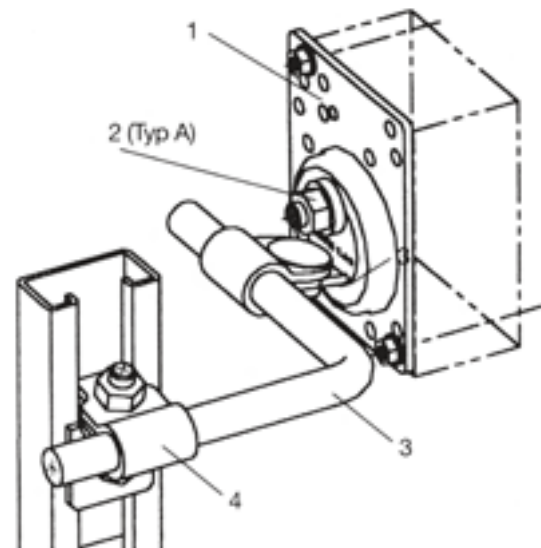
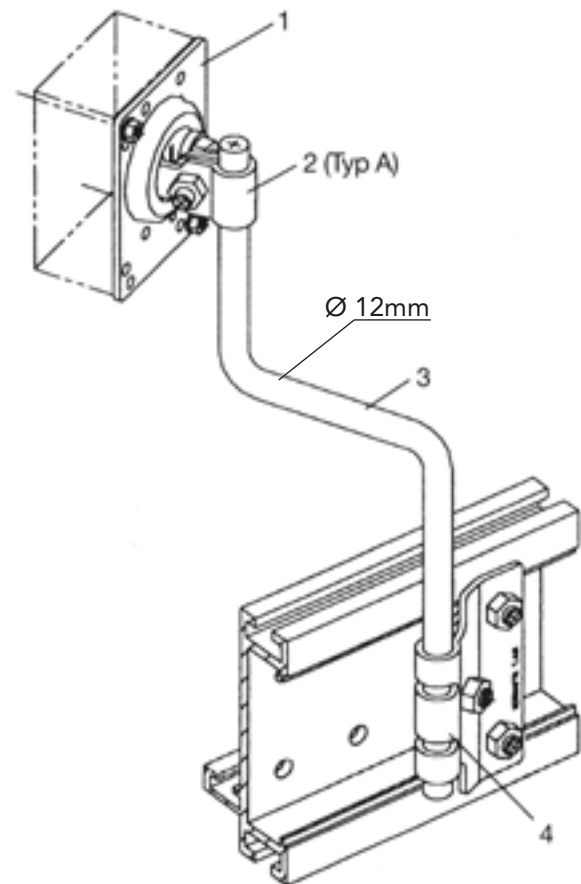
3. The 12mm round rods

These round rods are the jointing elements between system and round rod holders.

4. The round rod holders

The round rod holders allow the mounting of the entire system on machine elements or on various plantend C-DIN rails.

The holder elements consist of the lowest possible number of single parts in each case. Only one nut size (M8) is used throughout the whole system.



These special design features provide for simple installation. The system plates and the fact that the round rods can be swung through 360° provides for fast and exact system adjustment.

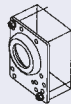
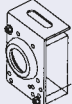

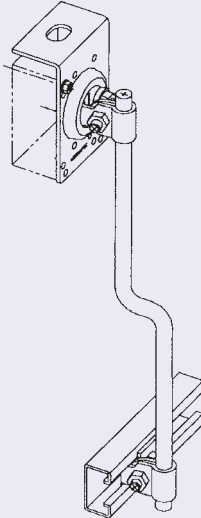

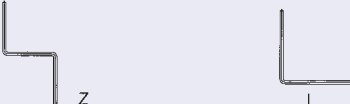
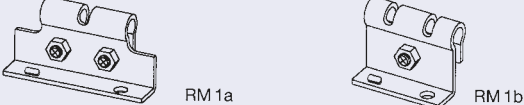

sbs Mounting System




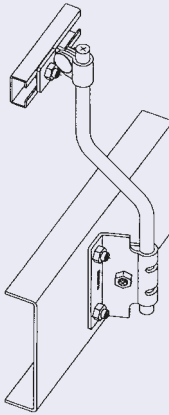
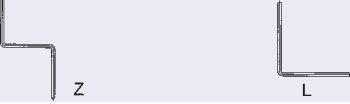
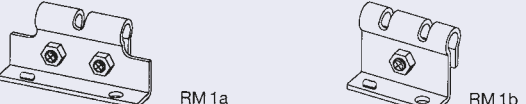

The System parts overview

The following list shows the **sbs** system parts in the overview. You can combine System Plates, system holders, round rods and round rods holders as desired.

System parts for mounting light barriers and reflectors

System Plates	 1a	 1b	 2a	Example 
System holders Type A1 (for all system plates)				
Round rods				
Round rods holder (Type RM – for mounting on machine parts)				
Round rods holder (Type RS – for C-type mounting rails)				

System parts for mounting on plant-end

System holders Type A1 (for all system plates)				Example 
Round rods				
Round rods holder (Type RM – for mounting on machine parts)				
Round rods holder (Type RS – for C-type mounting rails)				

All **sbs** mounting system parts are made of steel and are electrogalvanised. Components are also available in stainless steel 1.4301 on request.

sbs Mounting System

*We give support to
(almost) everything!*



System plate 2a



System plate 1b



RS 1a



Syst.-h. A1



RS 2a

*For more details –
visit www.us-metallwaren.de*

UTE **S** **SCHLIEDER** GmbH
METALLWARENFABRIK



Zertifiziert
nach
ISO/TS 16949

Bahnhofstraße 16
D-09517 Zöblitz

Telefon: (03 73 63) 45 00
Telefax: (03 73 63) 4 50 10
www.us-metallwaren.de